

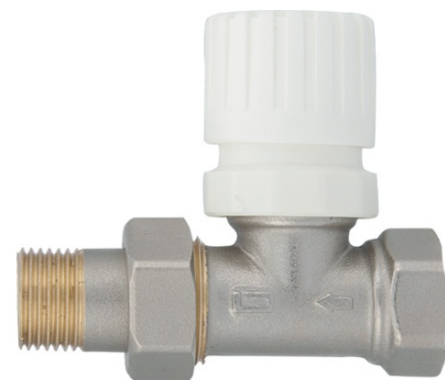
Valves / Radiator Valves / Thermostatic Adjusting Head Adaptable Radiator Valves

CONSTRUCTIVE PROPERTIES

| | STANDARD | OPTIONAL |
|-------------------------|-----------------------|----------|
| Radiator Connection | G 1/2" B | - |
| Sealing | Brass | - |
| Nominal Diameter | DN 15 | - |
| Installation Connection | G 1/2" B | - |
| Open-Close Wheel | Plastic (White) | - |
| Material of Case | Brass - Nickel Plated | - |

USAGE PROPERTIES

| | | |
|---------------------|----------------|---|
| Storage Temperature | -20 ... +60 °C | - |
| Conformity | TS EN 215 | - |
| Max. Water Temp. | 120°C | - |
| Max. Pressure | 10 bar | - |



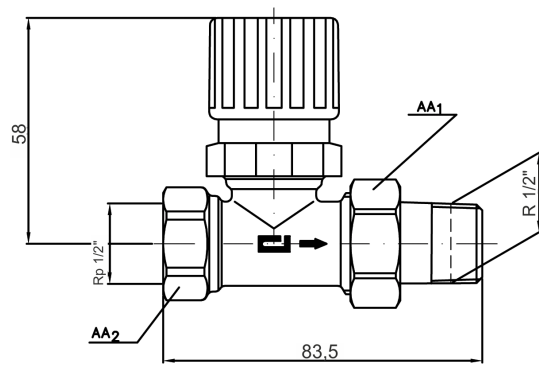
096221
Straight Type



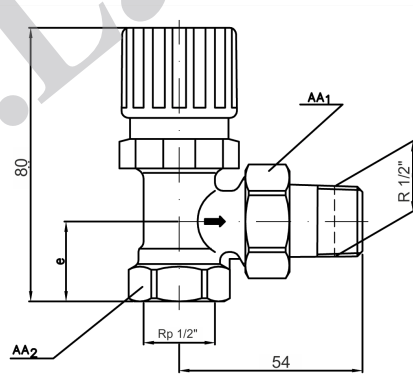
096211
Angled Type

www.Laheghi.com

Valves / Radiator Valves / Thermostatic Adjusting Head Adaptable Radiator Valves



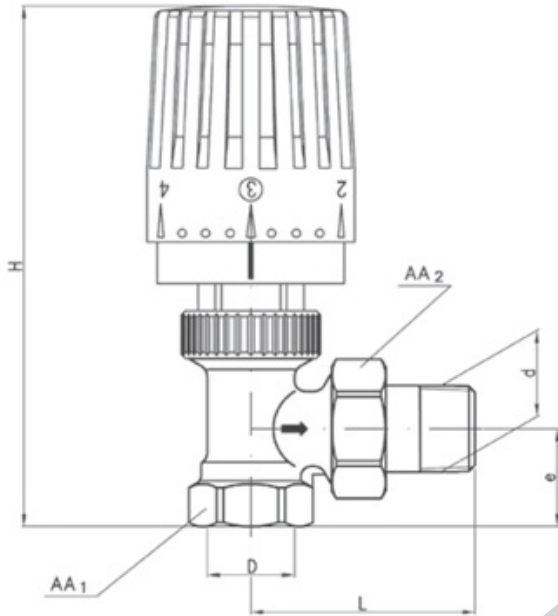
Model No: 0962210



Model No: 096211

Radiator Valves

► Thermostatic Angled Radiator Valves



Sand Blasted

Nickel Plated

PN 10

RoHS

TSE

TS EN 215

TS EN ISO 9001:2008



Usage Temperature

Max. 120 °C

Usage

Angled Type Thermostatic, Can be set between 7-28°C

Areas of Usage

Radiator connections in heating systems

Nominal Pressure

PN10

Connection Sizes

DIN ISO 228/1

Optional

Chrome Plated

Connection Sizes

| | Code # | | D | d | H | e | L | AA ₁ | AA ₂ | Kg |
|----------------|----------|------------|---------|--------|-----|------|----|-----------------|-----------------|-------|
| Standard Union | Strava 1 | 0960110000 | Rp 1/2" | R 1/2" | 126 | 23,5 | 54 | 27 | 30 | 0,370 |
| | Strava 2 | 0960111000 | Rp 1/2" | R 1/2" | 126 | 23,5 | 54 | 27 | 30 | 0,367 |
| Double O-Ring | Strava 1 | 0960510000 | Rp 1/2" | R 1/2" | 126 | 23,5 | 54 | 27 | 30 | 0,375 |
| | Strava 2 | 0960511000 | Rp 1/2" | R 1/2" | 126 | 23,5 | 54 | 27 | 30 | 0,372 |